



High temperature resistant split nylon hose

High temperature resistant split nylon hose

Compliance with European standards

Material: high temperature fluorinated plastic

Temperature class: -200°C to 260°C

Size range: inner diameter from 4.5mm to 19mm

Color: black tube with yellow line

Flame retardant: UL94-v0

Features: suitable for harsh high temperature environment, excellent material corrosion resistance,

durability, impact resistance

Purpose: It can protect wires and cables from external wear and insulation carrying capacity, and is not

easy to deform. This product has good temperature resistance.

Mainly used in machinery manufacturing, electrical insulation protection, lighting equipment, automobile

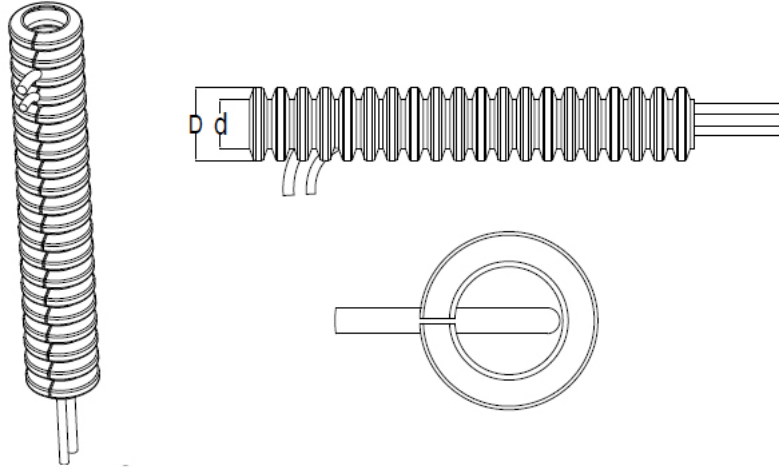
manufacturing, aviation equipment, subways, trains, automation control and other industries.

High temperature resistant split nylon hose



Specification

RCCN High temperature resistant split nylon hose



Material: high temperature fluorinated plastic

Temperature: -200°C to 260°C

Product: Conforms to European standards

Uses: It can protect wires and cables from external wear and insulation. It is mainly used in automotive wiring harness industry. This product has good temperature resistance.

black HT240	blackHT240Break open	d Minimum inner diameter mm	D outside diameter mm	package
BG-04.5BH	BGR-04.5BH	4.50	7.20	100
BG-06BH	BGR-06BH	6.65	9.60	100
BG-09BH	BGR-09BH	9.40	13.25	100
BG-11BH	BGR-11BH	12.30	16.40	50
BG-13BH	BGR-13BH	14.05	18.40	50
BG-16BH	BGR-16BH	16.35	21.15	50
BG-19BH	BGR-19BH	19.25	24.00	50

Product Show

High and low temperature bellows

Compliance with European standards

Open style, closed style





Product Application

