



## Split nylon hose

### Split nylon hose

Sample material: pp

Colour: Black

Features: The tongue is located under the opening, and the wires are not exposed to danger

Working temperature: -30°C-110°C

Purpose: After the wiring harness is installed, the tongue on the corrugated tube can close the opening to protect the cable from external wear and insulation.

Mainly used in automotive wiring harness industry, machinery manufacturing, electrical insulation protection, lighting equipment, automobile manufacturing,

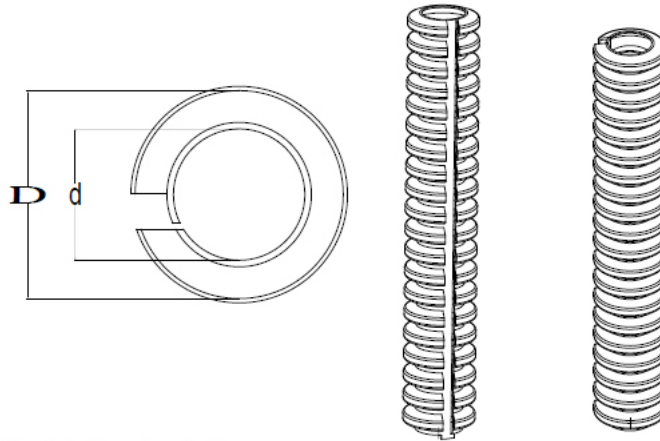
Aviation equipment, subway, train, automation control and other wire protection industries.



Split nylon hose

## Specification

## RCCN Split bellows



Material: PP (different materials can be produced)

Temperature: -40° C to 150° C

Product: There is a tongue under the incision, no risk of wire contact

Uses: It can protect wires and cables from external wear and insulation, mainly used in the automotive wiring harness industry.

Black	Black flame retardant bellows	d ( Minimum inner diameter ) mm	D ( outside diameter ) mm	Packing m
BGR-06PPB/T	BGR-06PPB/TV0	6	9.65	600
BGR-09PPB/T	BGR-09PPB/TV0	9	13.40	200
BGR-11PPB/T	BGR-11PPB/TV0	11	16.55	170
BGR-13PPB/T	BGR-13PPB/TV0	13	18.55	130
BGR-16PPB/T	BGR-16PPB/TV0	16	21.50	100
BGR-19PPB/T	BGR-19PPB/TV0	19	24.15	70
BGR-23PPB/T	BGR-23PPB/TV0	23	28.75	50
BGR-25PPB/T	BGR-25PPB/TV0	25.50	31.80	
BGR-29PPB/T	BGR-29PPB/TV0	29	36.15	

### Product Show





---

Product Application

---



