



NTK1 Fan constant temperature control instrument

NTK1 thermostat fan constant temperature control instrument

Conditions of Use:

Environment temperature:-20°C~80°C

The relative humidity of the atmosphere does not exceed 50% when the ambient air temperature is +40°C, and higher relative humidity is allowed at a lower temperature, for example, it can reach 90% at +20°C, which may cause occasional condensation due to temperature changes. Special measures should be taken.

Altitude: The altitude of the installation site does not exceed 3000m.

Pollution level: Level 2;

Installation category: II, III category.

Installation conditions: Use TH35-7.5 type mounting rail to install, and the inclination between the mounting surface and the vertical surface should not exceed 5°.

Transportation and storage conditions:

Temperature -20°C~80°C.

Relative humidity: ≤95%.

The product should be handled with care, not upside down, to avoid strong collision.

NTK1 Fan constant temperature control instrument

Specification

Main technical parameters and performance

Table 1 Main circuit technical parameters and technical performance

performance	parameter
Contact resistance	< 10mΩ (With connecting wire)
Mechanical life	> 100000次
Maximum switching load	Single control : 250VAC , 10(2)A;120VAC , 15(2)A;30WDC at 24VDC to 72VDC Dual control : 250VAC , 10(2)A;120VAC , 15(2)A;30W
Installation method	35mmRail installation
set temperature	0°C~ 60°C
Ambient temperature	-20°C~ 80°C
Switching temperature tolerance	7K (±4Ktolerance)

Product Show



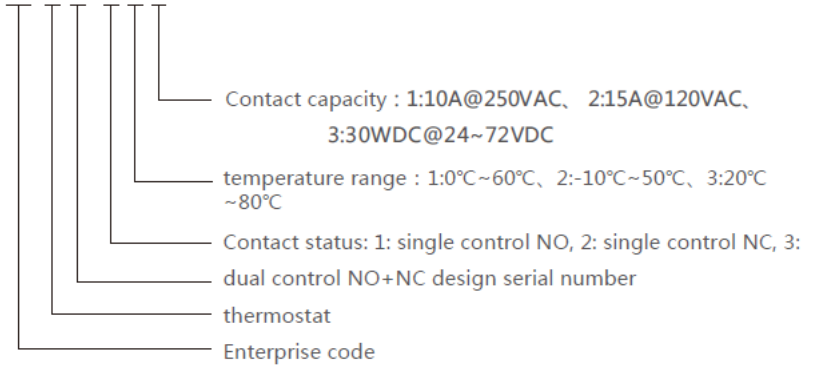
NTK1 Fan constant temperature control instrument

1 Product overview

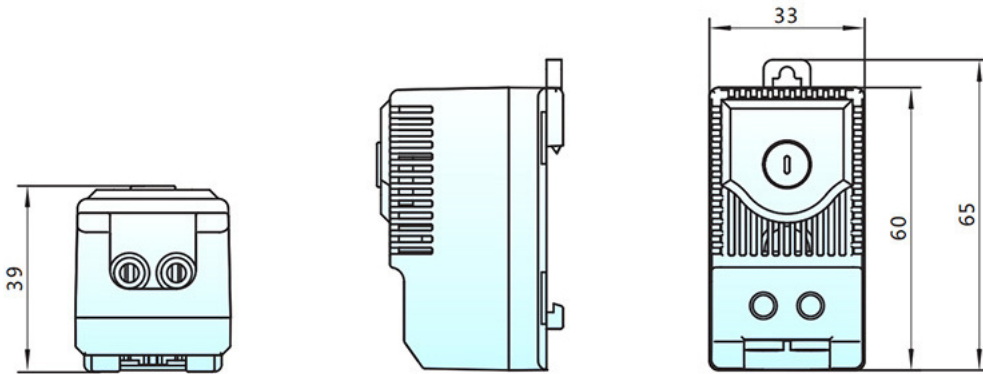
NTK1 thermostat is used to connect the heater. When the temperature reaches the set value, it will disconnect the circuit and monitor the filter fan. When the temperature exceeds the set value, it will close the circuit and output signal.

2 Model and meaning

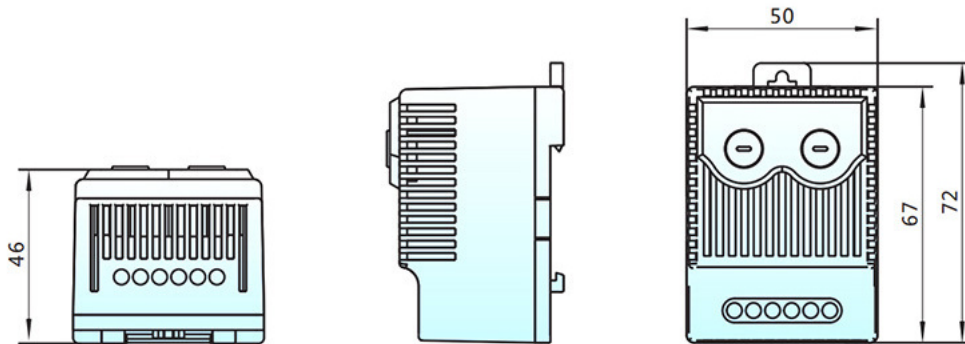
N TK 1 - 1 1 1



产品尺寸图



单控款 重量：40g

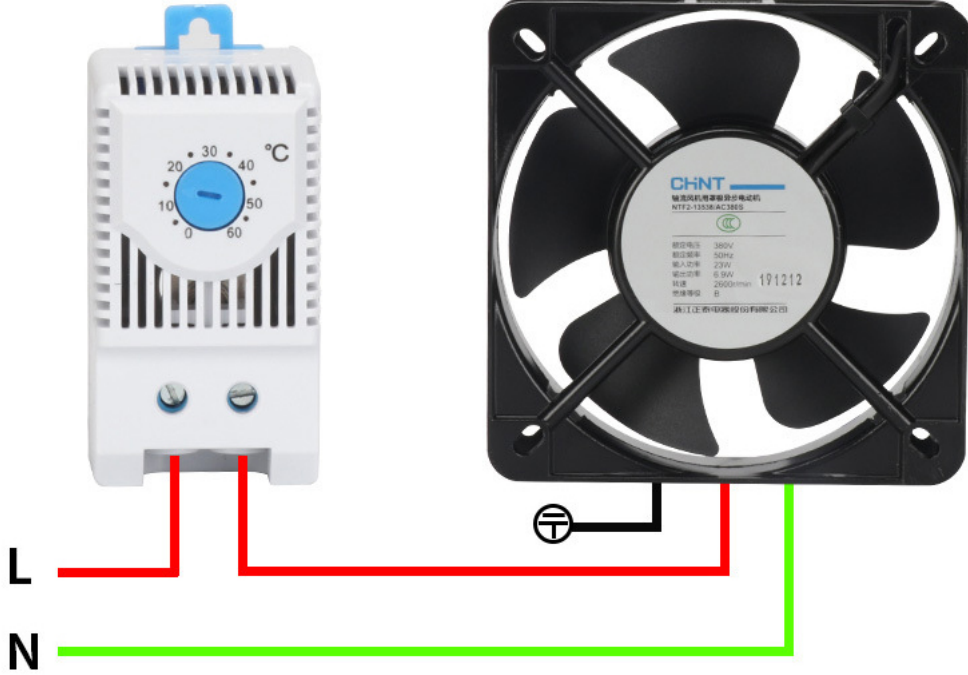


双控款 重量：85g

单控 (NO) 搭配风机接线图

单控 (NO)

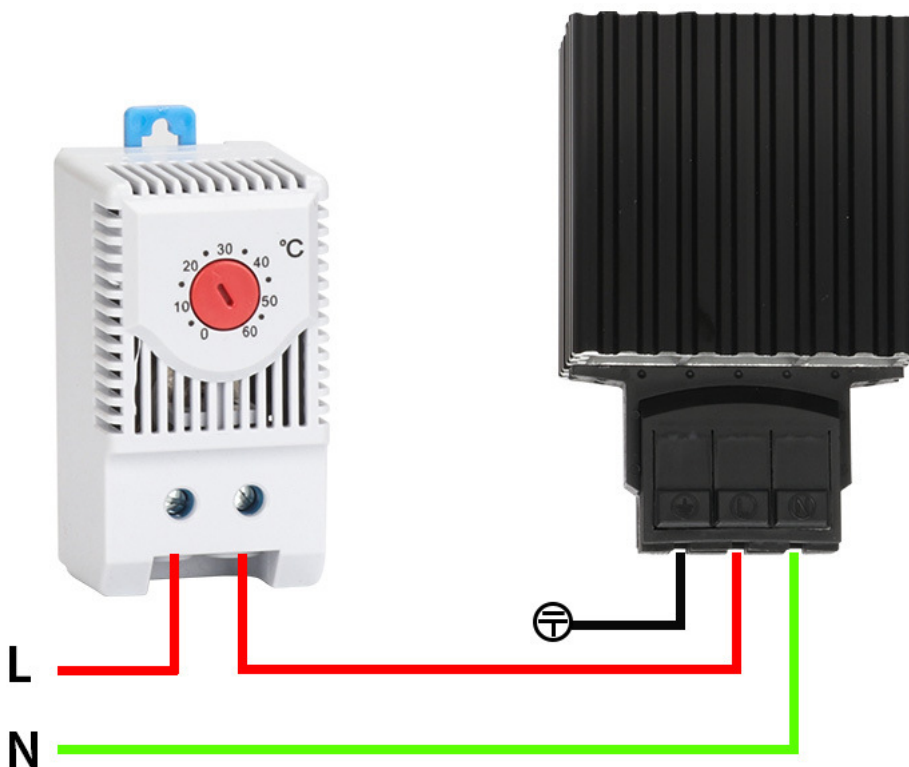
风扇



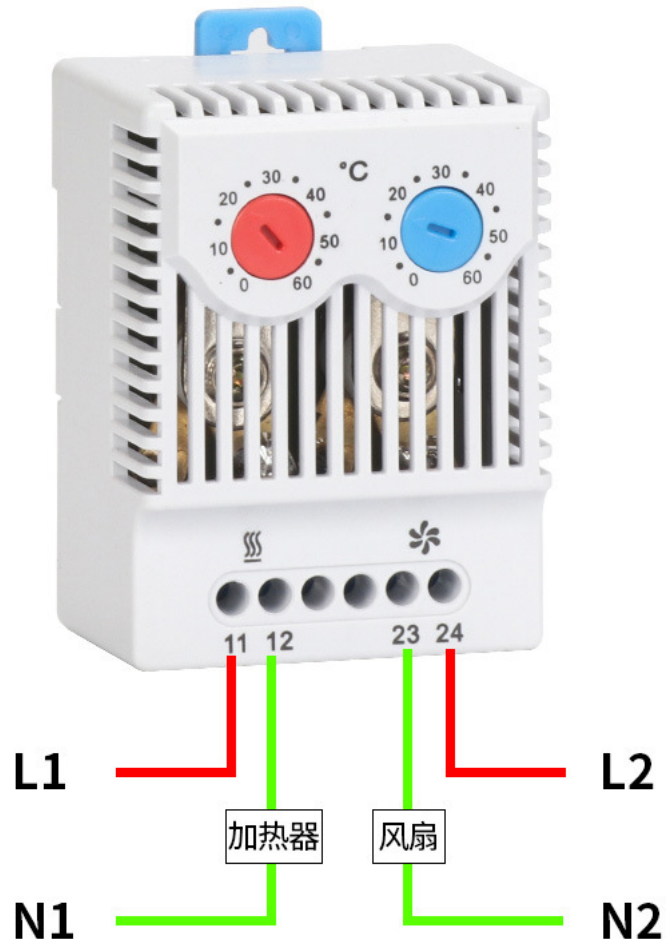
单控 (NC) 搭配加热器接线图

单控 (NC)

NTR1加热器



双控搭配加热器、风扇接线图



5 Product appearance and installation dimensions

The overall dimensions are shown in Figure 1. Product weight: single control: 40g; dual control: 85g

Figure 1-1 Outline dimension drawing of single control

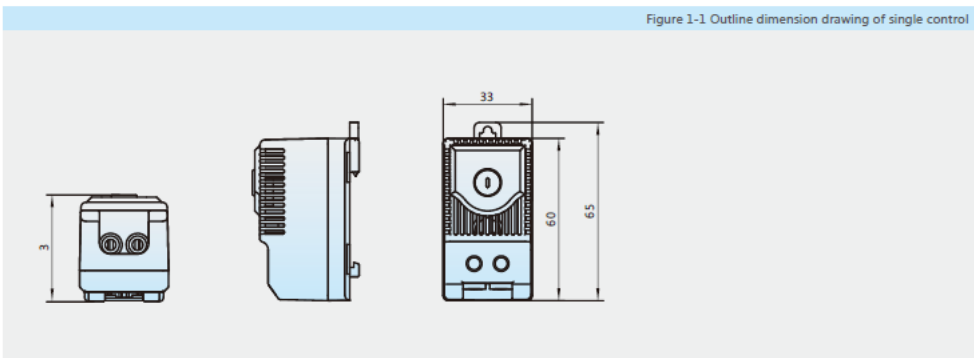
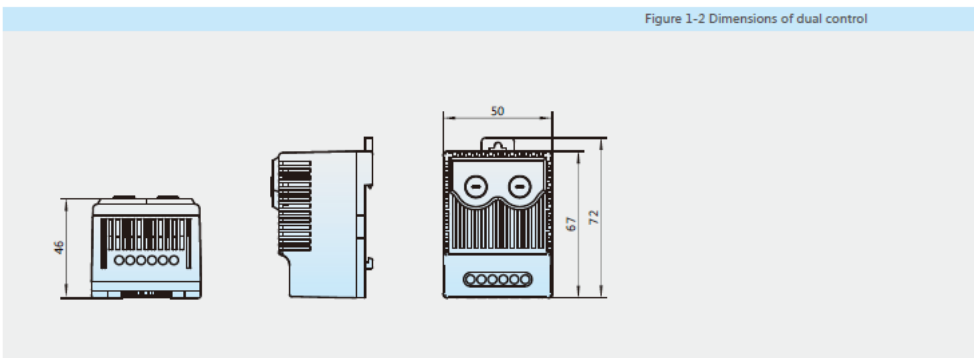


Figure 1-2 Dimensions of dual control



6 Precautions for installation, debugging and use

- 6.1 Before installation, check whether the product mark matches the conditions used.
- 6.2 According to the product identification, the inlet and outlet ends, and the outlet ends are correctly wired (wire diameter must be within the required range).
- 6.3 The N and L poles cannot be connected wrongly and must be connected reliably.
- 6.4 When wiring the thermostat terminal, use a small screwdriver to tighten it, do not use an electric screwdriver.