



NTF2 Axial fan

NTF2 Axial fan

Main purpose and scope of application

The small axial flow is composed of the fan impeller and the casing. When the fan works, the blades push the air to flow in the same direction as the shaft, which has the advantages of low power consumption, fast heat dissipation, low noise, energy saving and environmental protection.

Due to its small size and wide range of uses, small axial fans are mainly suitable for ventilation and heat dissipation of mechanical equipment, such as electrical cabinets and distribution boxes. Normal use, installation and transportation, storage conditions

Conditions of Use:

Ambient temperature: ball fan: -30°C~+65°C, oil-containing fan: -10°C~+60°C

The relative humidity of the atmosphere does not exceed 50% when the ambient air temperature is +40°C, and may be higher at lower temperatures.

Relative humidity, for example, can reach 90% at +20°C. Special measures should be taken for occasional condensation due to temperature changes.

Altitude: The altitude of the installation site does not exceed 3000m.

Pollution level: Level 2;

Installation category: II, III category.

Transportation and storage conditions:

Temperature: Ball fan: -30°C~+65°C,

Oil-containing fan: -10°C~+60°C

Relative humidity: ≤95%.

The product should be handled with care, not upside down, to avoid strong collision.

NTF2 Axial fan

Specification

performance	parameter	
	AC fan	DC fan
Rated current	0.07/0.14/0.25/0.45/0.58A±10%	0.08/0.15/0.20/0.25A±10%
Power consumption	13/17/19/21/25/36/45/80W±10%	0.96/1.8/2.4/3.0W±10%
Rotating speed	2200/2500/2700RPM±10%	2000/2500/4000/5000RPM±10%
Maximum air volume	29/55/65/85/100/200/350/600CFM±10%	8.7/11.9/18.55/36.7/43.5/72.3CFM±10%
Maximum static pressure	2.3/5.1/6.9/11/19mmH2O	6.4/5.19/7.6/4.35/2.82/5.2mmH2O
noise	32~60dB	26~38dB
Insulation class	B level	A level
Operating temperature	Ball: -30°C~65°C/oil content: -10°C~60°C	Ball: -30°C~65°C/oil content: -10°C~60°C
Service life	30000 oil/ball 50000h	30000 oil/ball 50000h
Operating Voltage	AC220V/AC380V	DC12V/24V
Voltage frequency	50Hz	/
Operating temperature rise	60K	50K

Product Show



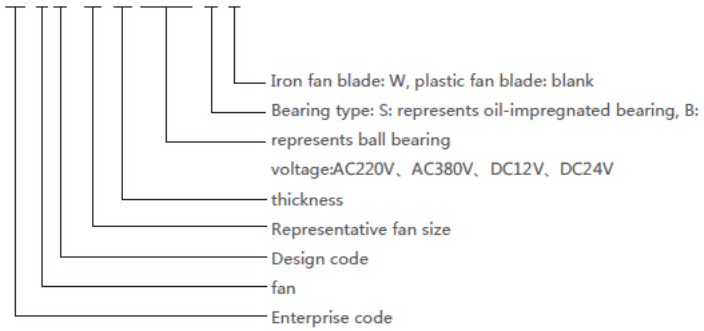
NTF2 Axial fan

1 Main purpose and scope of application

The small axial flow is composed of the fan impeller and the casing. When the fan works, the blades push the air to flow in the same direction as the shaft, which has the advantages of low power consumption, fast heat dissipation, low noise, energy saving and environmental protection. Due to its small size and wide range of uses, small axial fans are mainly suitable for ventilation and heat dissipation of mechanical equipment, such as electrical cabinets and distribution boxes.

2 Model and meaning

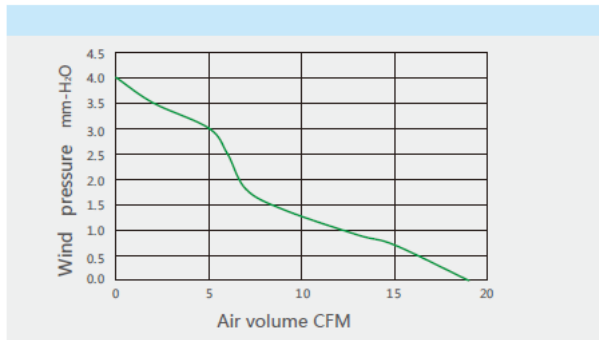
NT F 2 - 80 25/AC200 B W





5 Product style and size chart

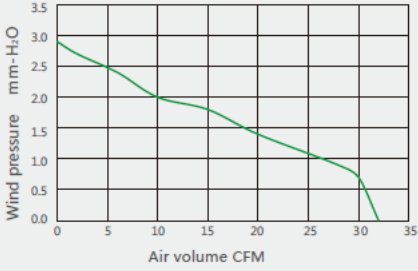
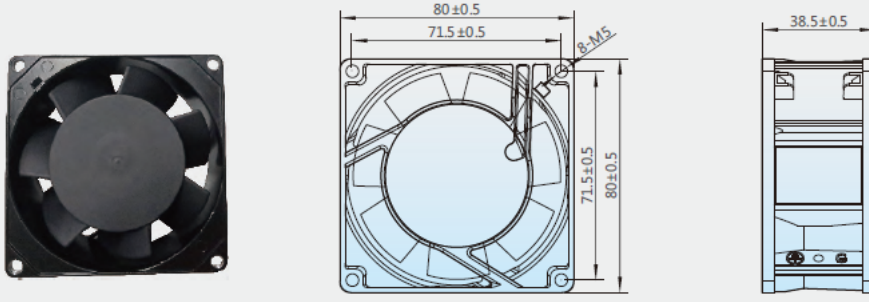
80mmX80mmX25mm NTF2-8025 (AC)



model	Bearing	Voltage VAC	Frequency Hz	Current A	Power W	Speed RPM	Noise dB	Air volume		Weight g
								m3/h	CFM	
NTF2-8025 (AC)	Oily	220	50	0.07	13	2300	24	32	19	225
	Ball	220	50	0.07	13	2300	24	32	19	225

80mmX80mmX38mm

NTF2-8038 (AC)

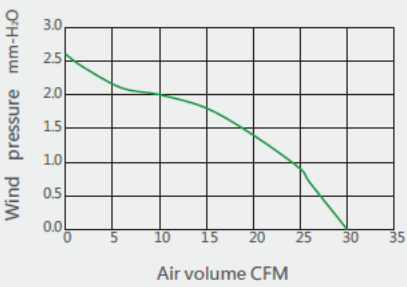
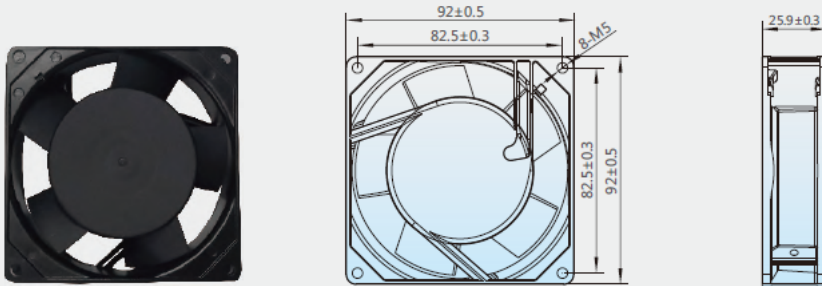


model	Bearing	Voltage VAC	Frequency Hz	Current A	Power W	Speed RPM	Noise dB	Air volume		Weight g
								m3/h	CFM	
NTF2-8038 (AC)	Oily	220	50	0.10	16	2550	28	39	32	300
	Ball	220	50	0.10	16	2550	28	39	32	300

P001/P002

92mmX92mmX25mm

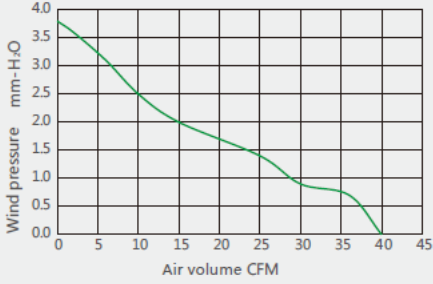
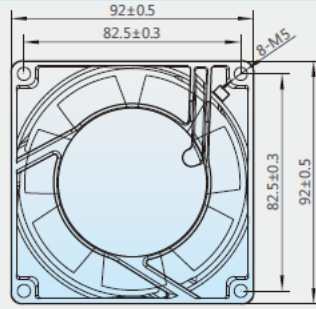
NTF2-9225 (AC)



model	Bearing	Voltage VAC	Frequency Hz	Current A	Power W	Speed RPM	Noise dB	Air volume		Weight g
								m3/h	CFM	
NTF2-9225 (AC)	Oily	220	50	0.07	13	2350	34	51	30	244
	Ball	220	50	0.07	13	2350	34	51	30	244

92mmX92mmX38mm

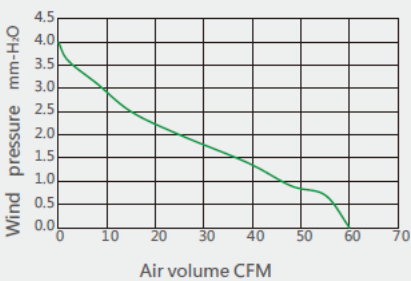
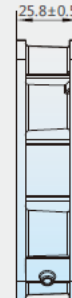
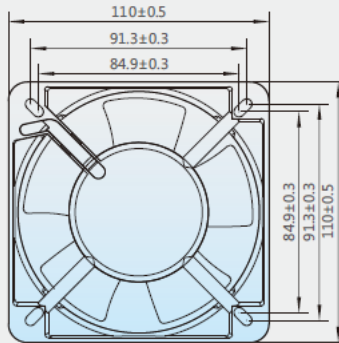
NTF2-9238 (AC)



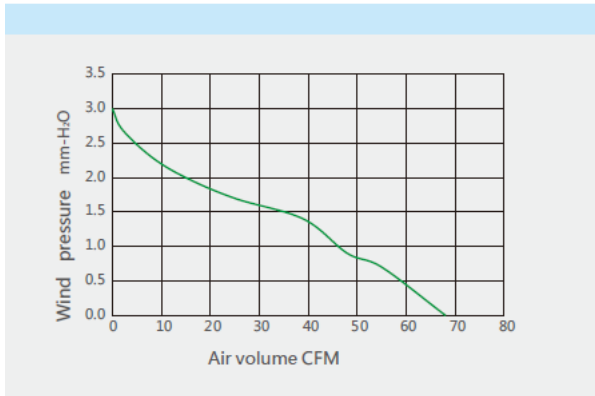
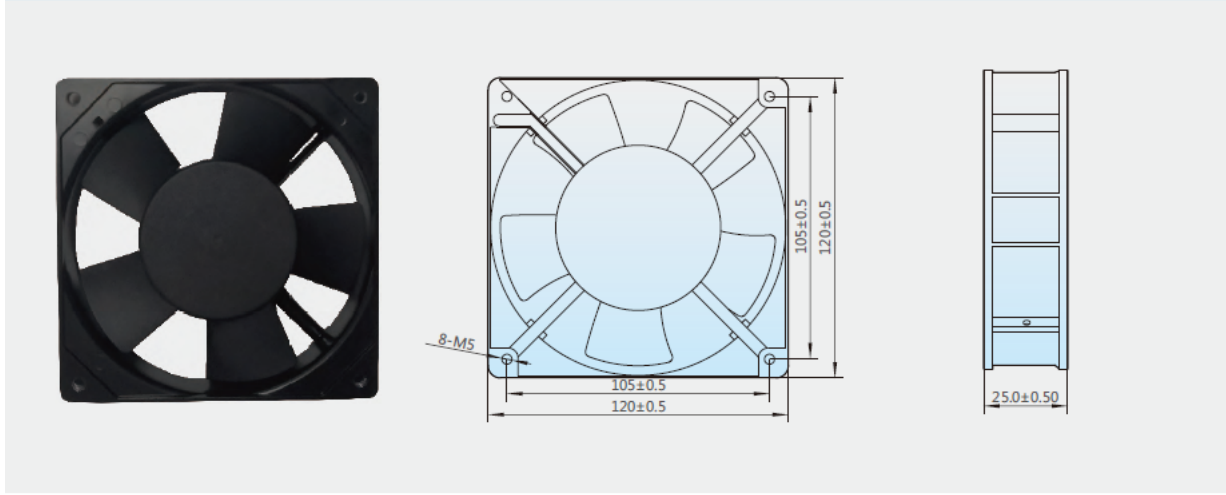
model	Bearing	Voltage VAC	Frequency Hz	Current A	Power W	Speed RPM	Noise dB	Air volume		Weight g
								m3/h	CFM	
NTF2-9238 (AC)	Oily	220	50	0.10	17	2600	31	72	40	330
	Ball	220	50	0.10	17	2600	31	72	40	330

110mmX110mmX25mm

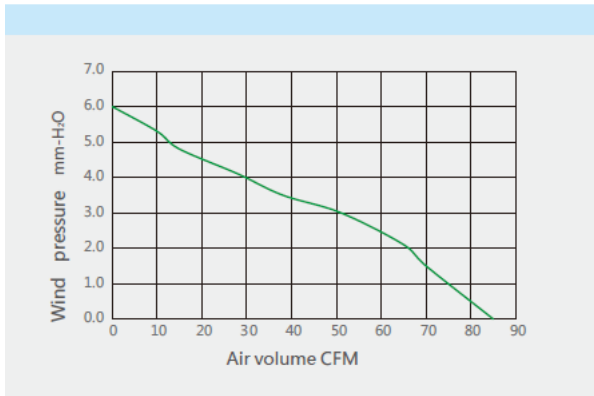
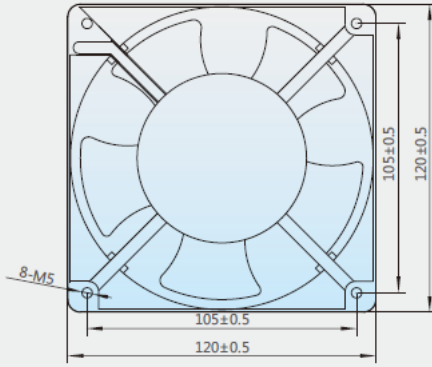
NTF2-11025 (AC)



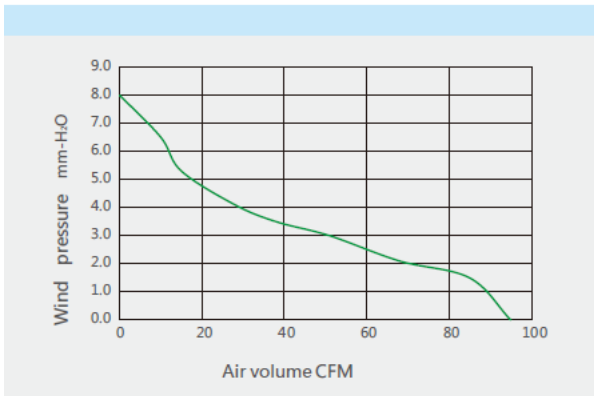
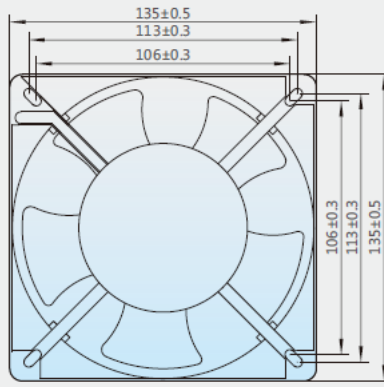
model	Bearing	Voltage VAC	Frequency Hz	Current A	Power W	Speed RPM	Noise dB	Air volume		Weight g
								m3/h	CFM	
NTF2-11025 (AC)	Oily	220	50	0.07	13	2200	36	102	60	254
	Ball	220	50	0.07	13	2200	36	102	60	254
	Oily	380	50	0.05	13	2200	36	102	60	254
	Ball	380	50	0.05	13	2200	36	102	60	254



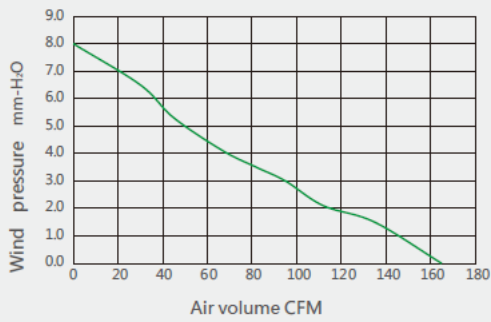
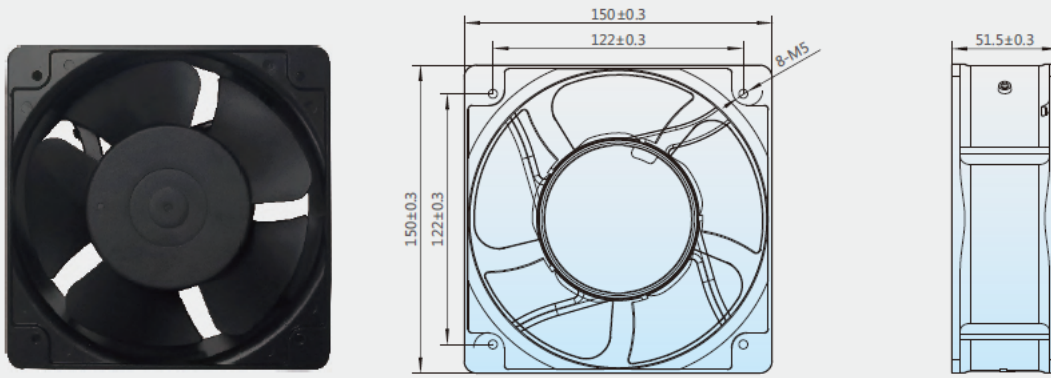
model	Bearing	Voltage VAC	Frequency Hz	Current A	Power W	Speed RPM	Noise dB	Air volume		Weight g
								m3/h	CFM	
NTF2-12025 (AC)	Oily	220	50	0.08	14	2400	39	115	68	278
	Ball	220	50	0.08	14	2400	39	115	68	278
	Oily	380	50	0.06	14	2400	39	115	68	278
	Ball	380	50	0.06	14	2400	39	115	68	278



model	Bearing	Voltage VAC	Frequency Hz	Current A	Power W	Speed RPM	Noise dB	Air volume		Weight g
								m3/h	CFM	
NTF2-12038 (AC)	Oily	220	50	0.12	19	2600	39	144	85	440
	Ball	220	50	0.12	19	2600	39	144	85	440
	Oily	380	50	0.12	19	2600	39	144	85	440
	Ball	380	50	0.12	19	2600	39	144	85	440



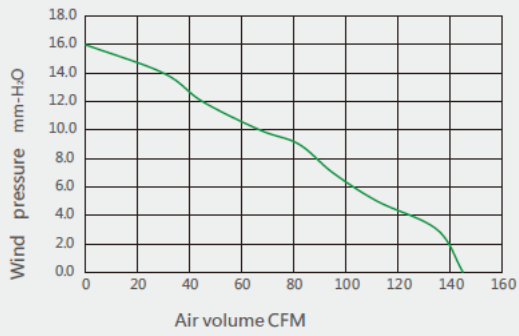
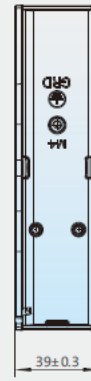
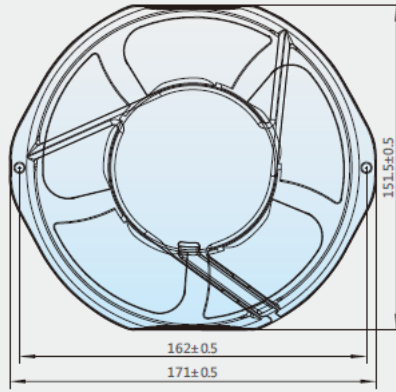
model	Bearing	Voltage VAC	Frequency Hz	Current A	Power W	Speed RPM	Noise dB	Air volume		Weight g
								m3/h	CFM	
NTF2-13538 (AC)	Oily	220	50	0.16	23	2600	46	161.5	95	495
	Ball	220	50	0.16	23	2600	46	161.5	95	495
	Oily	380	50	0.16	23	2600	46	161.5	95	495
	Ball	380	50	0.16	23	2600	46	161.5	95	495



model	Bearing	Voltage VAC	Frequency Hz	Current A	Power W	Speed RPM	Noise dB	Air volume		Weight g
								m3/h	CFM	
NTF2-15050 (AC)	Oily	220	50	0.25	36	2600	53	280	165	830
	Ball	220	50	0.25	36	2600	53	280	165	830
	Oily	380	50	0.15	36	2600	53	280	165	830
	Ball	380	50	0.15	36	2600	53	280	165	830

172mmX150mmX39mm

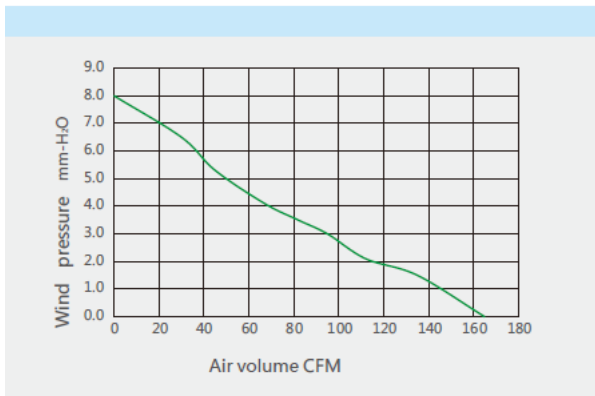
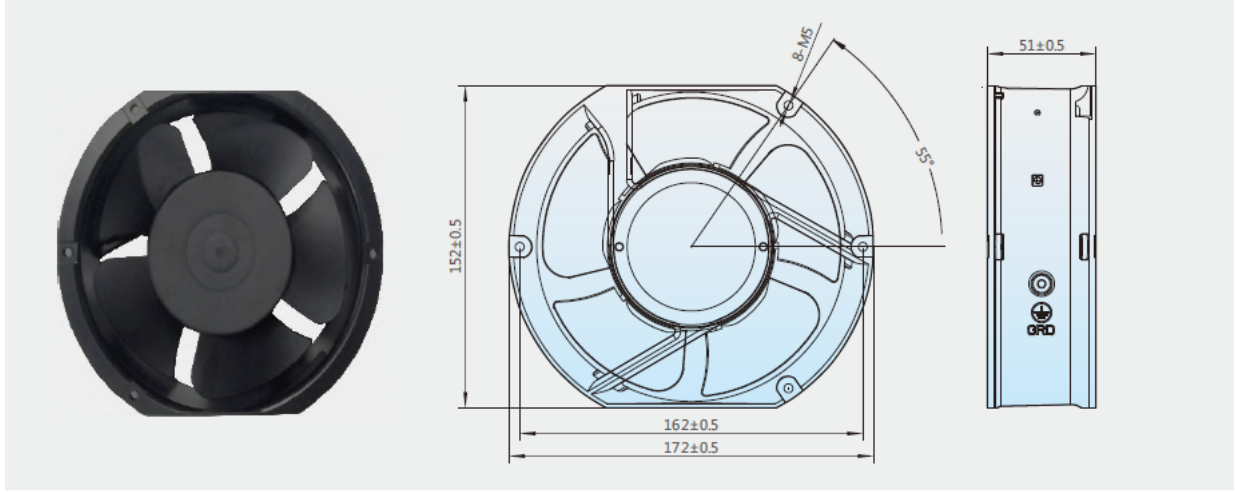
NTF2-17238 (AC)



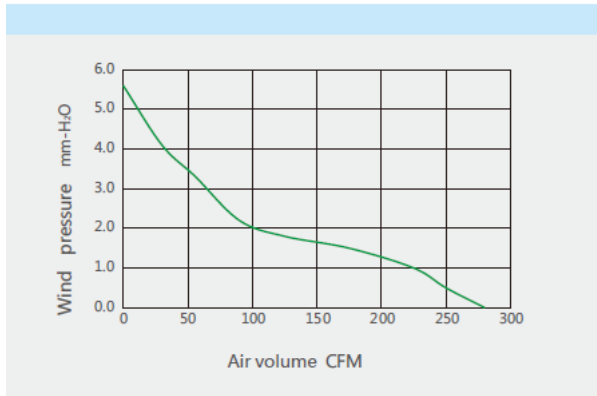
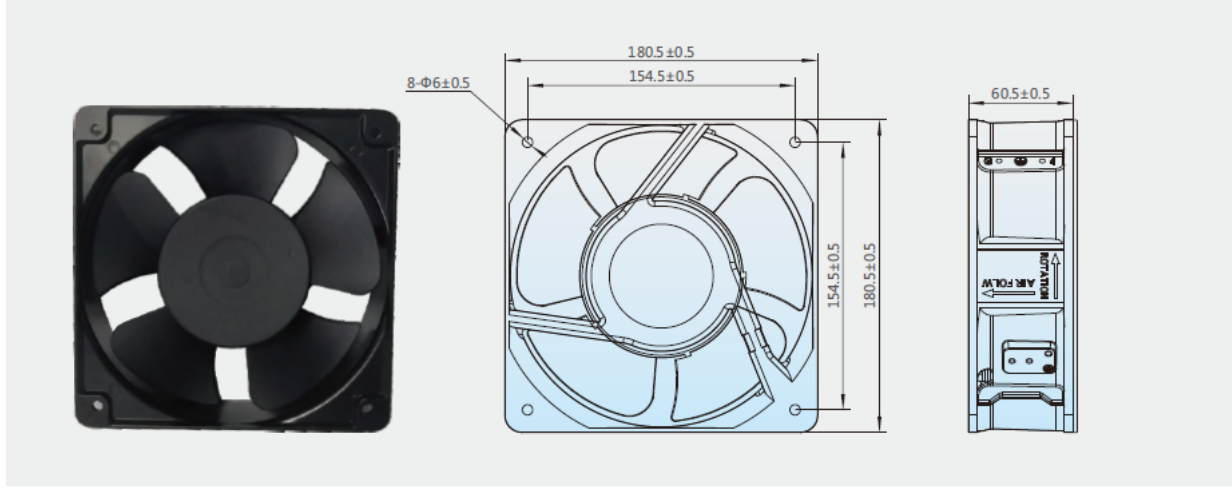
model	Bearing	Voltage VAC	Frequency Hz	Current A	Power W	Speed RPM	Noise dB	Air volume		Weight g
								m3/h	CFM	
NTF2-17238 (AC)	Oily	220	50	0.2	36	2600	56	246	145	680
	Ball	220	50	0.2	36	2600	56	246	145	680
	Oily	380	50	0.15	36	2600	56	246	145	680
	Ball	380	50	0.15	36	2600	56	246	145	680

172mmX150mmX51mm

NTF2-17250 (AC)



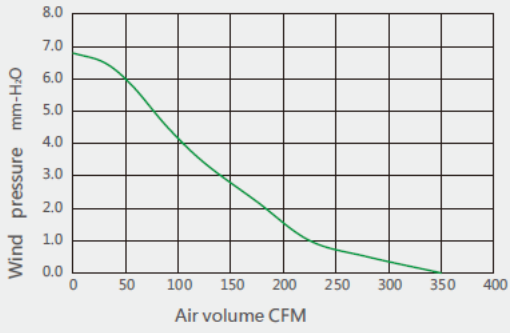
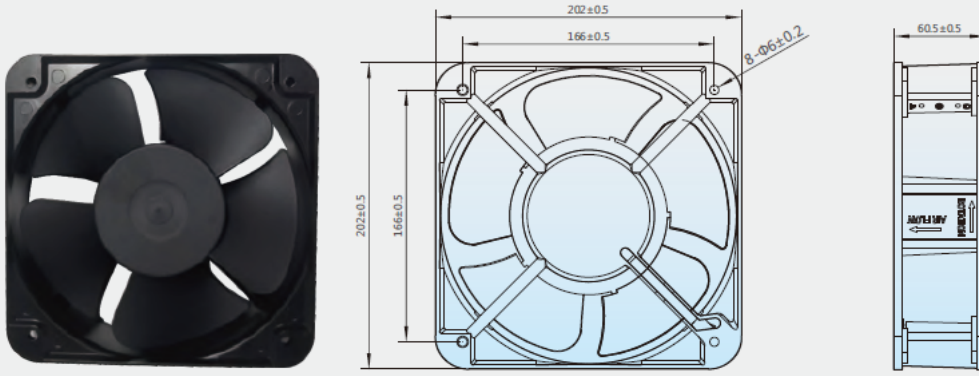
model	Bearing	Voltage VAC	Frequency Hz	Current A	Power W	Speed RPM	Noise dB	Air volume		Weight g
								m3/h	CFM	
NTF2-17250 (AC)	Oily	220	50	0.25	36	2600	46	280	165	830
	Ball	220	50	0.25	36	2600	46	280	165	830
	Oily	380	50	0.15	36	2600	46	280	165	830
	Ball	380	50	0.15	36	2600	46	280	165	830



model	Bearing	Voltage VAC	Frequency Hz	Current A	Power W	Speed RPM	Noise dB	Air volume		Weight g
								m3/h	CFM	
NTF2-18060 (AC)	Ball	220	50	0.3	45	2700	68	476	280	1400
	滚珠	380	50	0.2	45	2700	68	476	280	1400

200mmX200mmX60mm

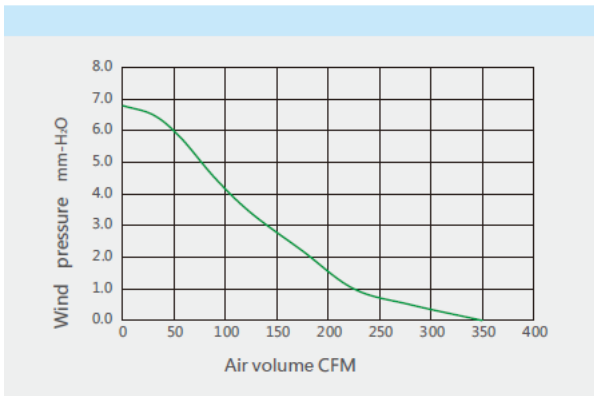
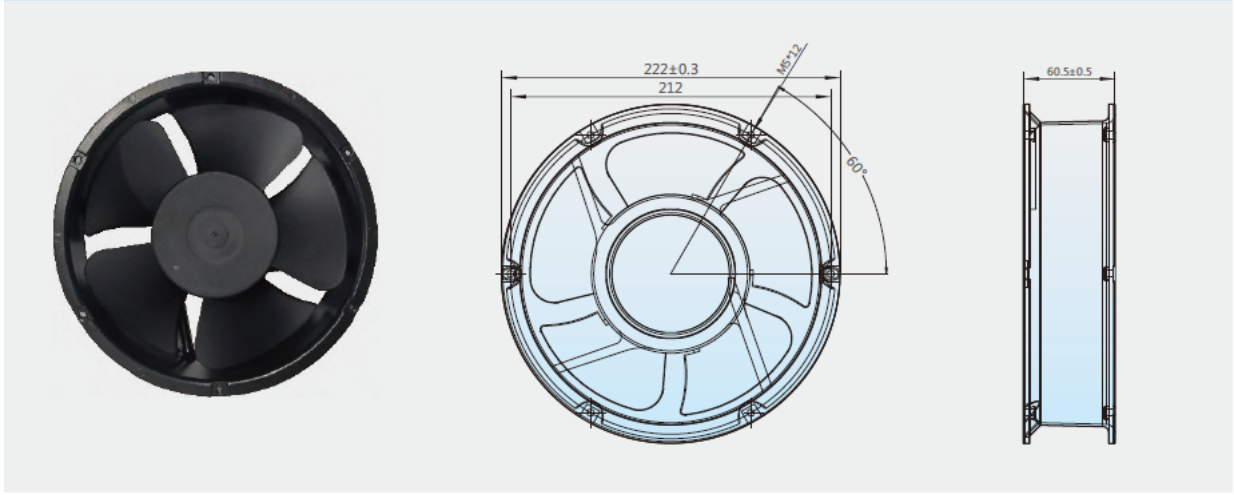
NTF2-20060 (AC)



model	Bearing	Voltage VAC	Frequency Hz	Current A	Power W	Speed RPM	Noise dB	Air volume		Weight g
								m3/h	CFM	
NTF2-20060 (AC)	Ball	220	50	0.45	45	2600	68	595	350	1500
	滚珠	380	50	0.2	45	2600	68	595	350	1500

220mmX60mm

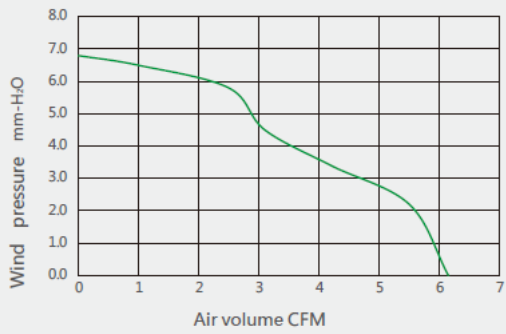
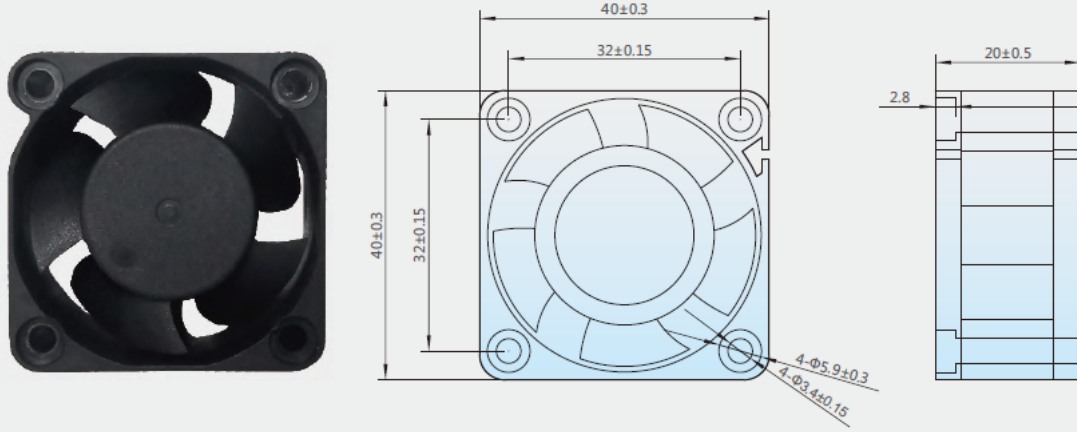
NTF2-22060 (AC)



model	Bearing	Voltage VAC	Frequency Hz	Current A	Power W	Speed RPM	Noise dB	Air volume		Weight g
								m3/h	CFM	
NTF2-22060 (AC)	Ball	220	50	0.45	45	2600	68	595	350	1500
	滚珠	380	50	0.2	45	2600	68	595	350	1500

40mmX40mmX20mm

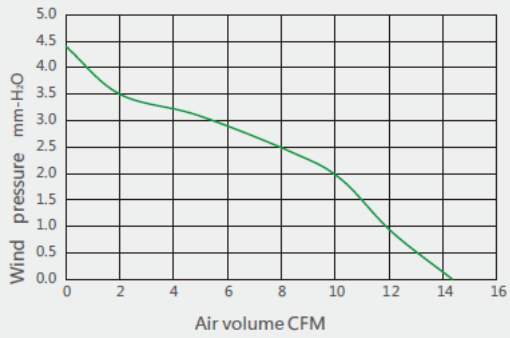
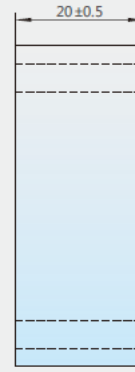
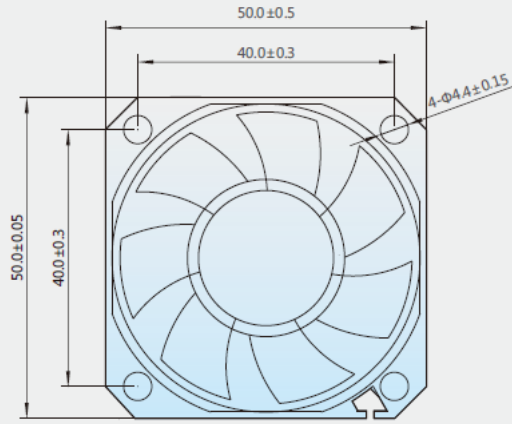
NTF2-4020 (DC)



model	Bearing	Rated voltage VDC	Rated current A	Rated input power W	Rotating speed	Wind pressure MmH2O	Noise dB	Air volume		Weight g
								m3/h	CFM	
NTF2-4020 (DC)	Oily	12	0.11	1.32	6500	5.4	23.6	10.2	6.16	22
	Ball	12	0.11	1.32	6500	5.4	23.6	10.2	6.16	22
	Oily	24	0.06	1.44	6500	5.4	23.6	10.2	6.16	22
	Ball	24	0.06	1.44	6500	5.4	23.6	10.2	6.16	22

50mmX50mmX20mm

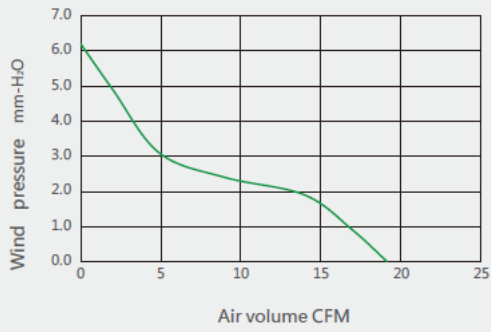
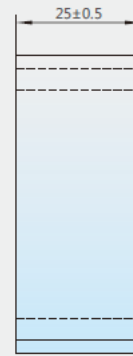
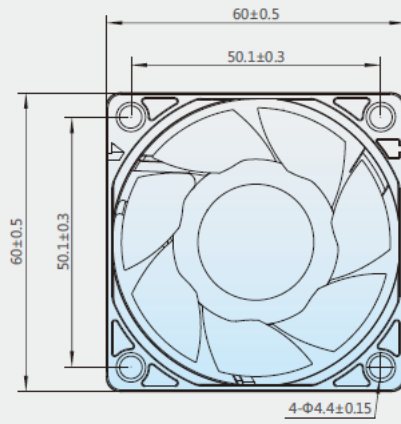
NTF2-5020 (DC)



model	Bearing	Rated voltage VDC	Rated current A	Rated input power W	Rotating speed	Wind pressure MmH ₂ O	Noise dB	Air volume		Weight g
								m ³ /h	CFM	
NTF2-5020 (DC)	Oily	12	0.19	2.28	4800	4.39	28.7	24.6	14.36	31.6
	Ball	12	0.19	2.28	4800	4.39	28.7	24.6	14.36	31.6
	Oily	24	0.1	2.4	4800	4.39	28.7	24.6	14.36	31.6
	Ball	24	0.1	2.4	4800	4.39	28.7	24.6	14.36	31.6

60mmX60mmX25mm

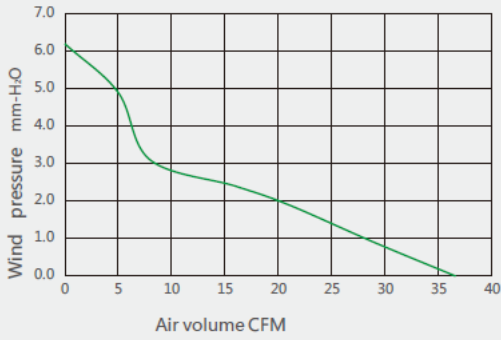
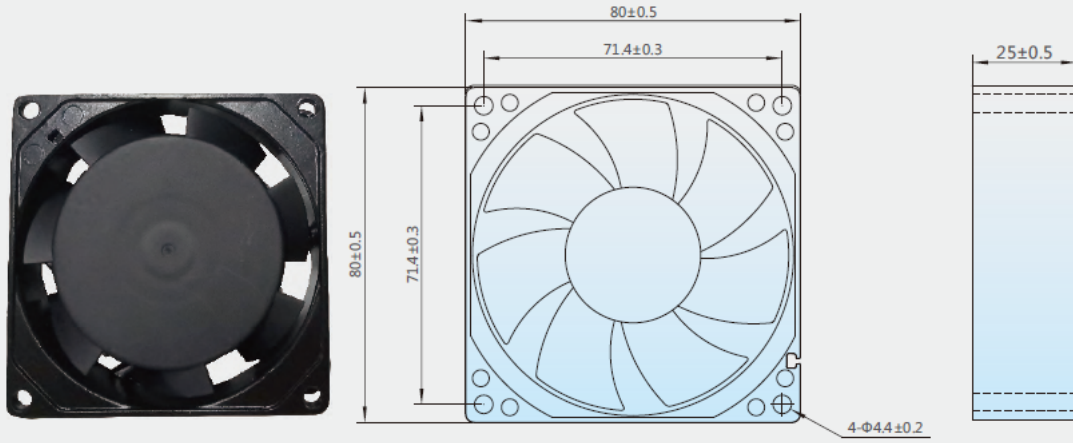
NTF2-6025 (DC)



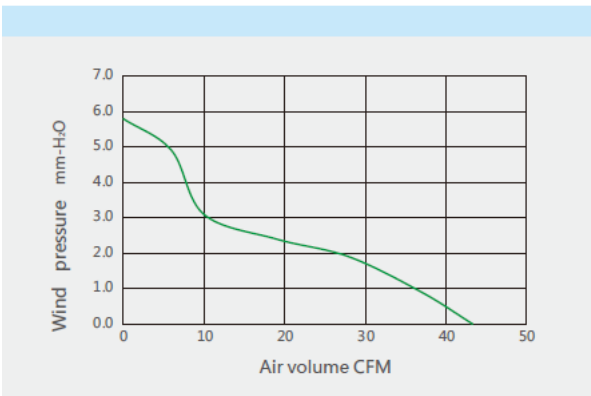
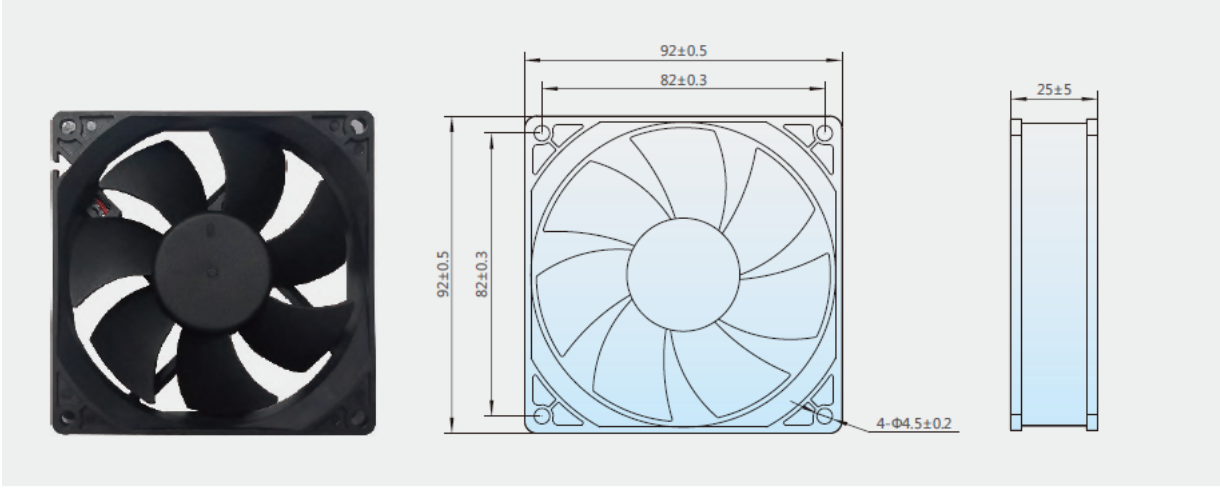
model	Bearing	Rated voltage VDC	Rated current A	Rated input power W	Rotating speed	Wind pressure MmH2O	Noise dB	Air volume		Weight g
								m3/h	CFM	
NTF2-6025 (DC)	Oily	12	0.17	2.04	4000	5.944	36.9	32.52	19.158	58
	Ball	12	0.17	2.04	4000	5.944	36.9	32.52	19.158	58
	Oily	24	0.1	2.4	4000	5.944	36.9	32.52	19.158	58
	Ball	24	0.1	2.4	4000	5.944	36.9	32.52	19.158	58

80mmX80mmX25mm

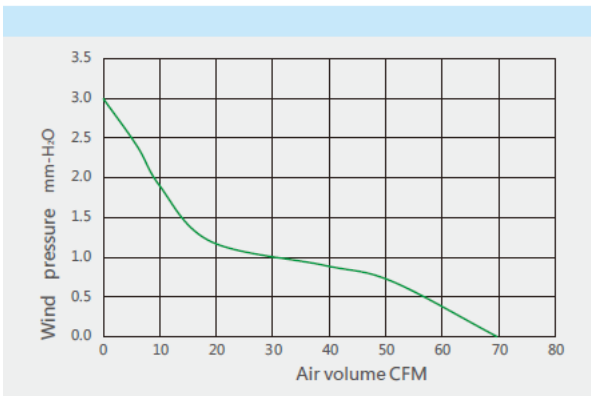
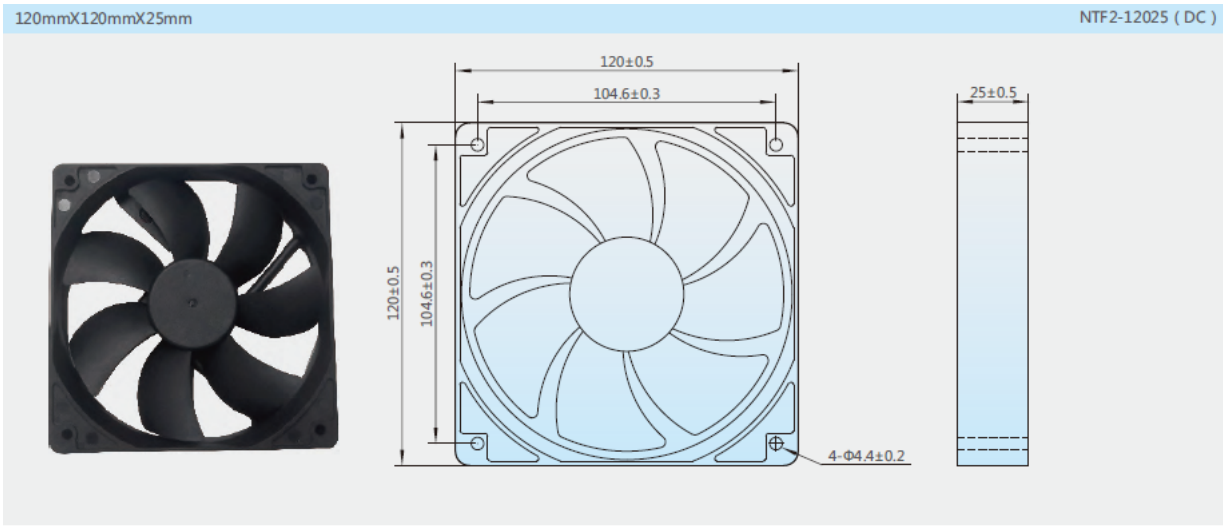
NTF2-8025 (DC)



model	Bearing	Rated voltage VDC	Rated current A	Rated input power W	Rotating speed	Wind pressure MmH2O	Noise dB	Air volume		Weight g
								m3/h	CFM	
NTF2-8025 (DC)	Oily	12	0.2	2.4	3000	4	35.2	62.4	36.63	71
	Ball	12	0.2	2.4	3000	4	35.2	62.4	36.63	71
	Oily	24	0.11	2.64	3000	4	35.2	62.4	36.63	71
	Ball	24	0.11	2.64	3000	4	35.2	62.4	36.63	71



model	Bearing	Rated voltage VDC	Rated current A	Rated input power W	Rotating speed	Wind pressure MmH2O	Noise dB	Air volume		Weight g
								m3/h	CFM	
NTF2-9225 (DC)	Oily	12	0.1	1.2	2500	2.82	30	73.6	43.34	85
	Ball	12	0.1	1.2	2500	2.82	30	73.6	43.34	85
	Oily	24	0.06	1.44	2500	2.82	30	73.6	43.34	85
	Ball	24	0.06	1.44	2500	2.82	30	73.6	43.34	85



model	Bearing	Rated voltage VDC	Rated current A	Rated input power W	Rotating speed	Wind pressure MmH2O	Noise dB	Air volume		Weight g
								m3/h	CFM	
NTF2-12025 (DC)	Oily	12	0.27	3.24	2000	2.97	33.4	118.2	69.71	1213
	Ball	12	0.27	3.24	2000	2.97	33.4	118.2	69.71	1213
	Oily	24	0.17	4.08	2000	2.97	33.4	118.2	69.71	1213
	Ball	24	0.17	4.08	2000	2.97	33.4	118.2	69.71	1213






本产品不含防护装置

如有需要购买以下装置请咨询购买






金属防护网

产品图片	型号	内装数量(只)	适用风扇型号
	NTF2-JF080	100	适用80mm风扇
	NTF2-JF092	100	适用92mm风扇
	NTF2-JF110	100	适用110mm风扇
	NTF2-JF120	100	适用120mm风扇
	NTF2-JF135	100	适用135mm风扇
	NTF2-JF150	100	适用150mmX150mm风扇
	NTF2-JF170	100	适用172mmX150mm风扇
	NTF2-JF180	100	适用180mm风扇
	NTF2-JF200	100	适用200mm风扇
	NTF2-JF220	100	适用Φ220风扇


三合一防尘网

产品图片	型号	内装数量(只)	适用风扇型号
	NTF2-SF080	100	适用80mm风扇
	NTF2-SF092	100	适用92mm风扇
	NTF2-SF110	100	适用110mm风扇
	NTF2-SF120	100	适用120mm风扇
	NTF2-SF135	100	适用135mm风扇
	NTF2-SF150	100	适用150mmX150mm风扇
	NTF2-SF200	100	适用200mm风扇

过滤网组

产品图片	型号	内装数量(只)	适用风扇型号
	NTF2-GLZ080	1	适用80mm风扇
	NTF2-GLZ092	1	适用92mm风扇
	NTF2-GLZ120	1	适用120mm风扇
	NTF2-GLZ150	1	适用172mmX150mm风扇
	NTF2-GLZ220	1	适用Φ220mm风扇

出风滤

产品图片	型号	内装数量(只)	产品规格
	NTF1-035.300	1	109×109×21 35m³/h
	NTF1-045.300	1	150×150×21 45m³/h
	NTF1-105.300	1	204×204×25 105m³/h
	NTF1-160.300	1	250×250×25 160m³/h
	NTF1-550.300	1	325×325×25 550m³/h