



FTBC-M internal thread butt joint converter

Richeng FTBC-M internal thread butt adapter



Product features: This product can convert external threads into internal threads, or realize the use of different external thread products' specifications (can be customized according to customer requirements, produce different thread lengths and other conversion between different threads).

Thread specifications: Metric thread

Material: made of environmentally friendly PA6 raw materials

Product Certification: CE ROHS

Fire rating: UL94V-2

Protection level: waterproof level can reach IP68

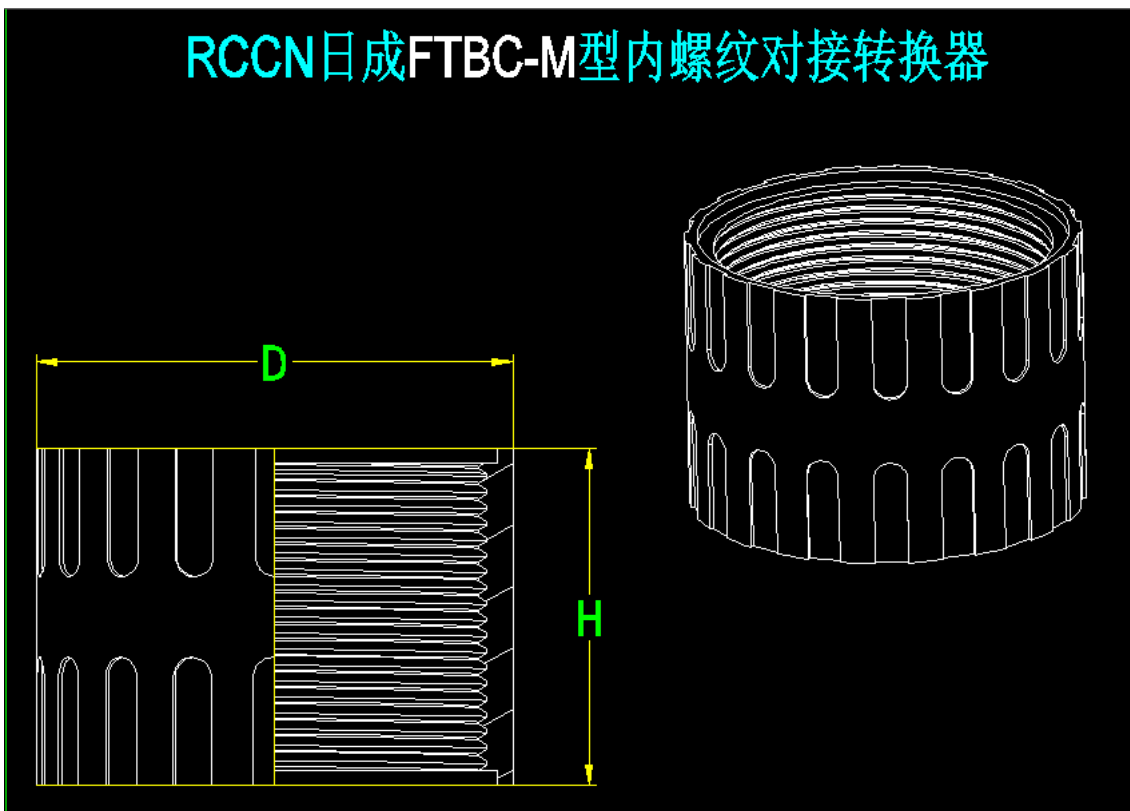
Color type: conventional black (color can be customized)

Working temperature: -40°C to 120°C



Internal thread butt adapter

Specification



Product name	Specification	H	D	Packing quantity
Internal thread butt adapter	FTBC-M16*1.5	31.5	21	50
Internal thread butt adapter	FTBC-M20*1.5	31.5	24.5	50